

**Input Volt.****5, 12, 15, 24 VDC****Output Volt.****(+/-) 3.3, 5, 9, 12, 15, 18 VDC**

Other specifications required, please inquire us for details.

**Technical Parameters**

All the parameters below are tested at TA=25° C, nominal input voltage, rated output current.

Input Parameters

Volt. Range	+/- 10 %
Filter	Ceramic-capacitor

Isolation Parameters

Rated Isolation Volt.	3000 VDC
Leak current	<1 mA
Resistance	10 ⁹ Ohm
Capacitor	60 pF TYP.

Output Parameters

Volt. Precision	+/- 5 %, max.
(20 MHz BW) Ripple&Noise	150mV p-p, max.
Continuous short-circuit time	Immediately (<1s)
Linear volt. Calibration	+/- 1,2 % / 1,0 % of Vin
Load volt. Calibration	+/- 8 %, load = 20 ~ 100 %
Temperature index	+/- 0,02 % / °C

General Parameters

Efficiency	70% to 85 %
Switching Frequency	125 KHz, type.

Environmental Parameters

Operating Temp. (environmental)	- 40° C to + 85° C
Storage Temp.	- 55 °C to + 125 °C
Reducing rated value	See temperature derating graph below
Humidity	≤ 90 %, Non-compression
Colling method	Natural Free-air

Dimension

SIP Package size	1W : 19.6 x6.0 x10.0 mm 2W : 19.6 x7.0 x10.0 mm
	0.77 x 0.24 x 0.39 inch 0.77 x 0.28 x 0.39 inch
	2.0 g~3.0 g

Weight**External Package Material**

Non-conductive flame-retardant black plastics

Typical Product List: (The parameters below are collected at 8 hours full-load aging test.)

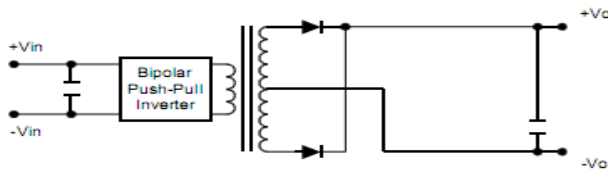
Model No.	Input Volt. Vin(VDC)	Input Current Empty load (mA)	Input Current Full load (mA)	Output Volt. Vout(VDC)	Output Current (max.mA)	Efficiency Full load (%TYPE)
E0505S-1W	5	28	282	+/-5	+/-100	71
E0509S-1W	5	23	256	+/-9	+/-55	78
E0515S-1W	5	20	250	+/-15	+/-34	78
E1205S-1W	12	16	113	+/-5	+/-100	74
E1212S-1W	12	12	105	+/-12	+/-42	79
E2403S-1W	24	11	56	+/-3.3	+/-150	75
E2405S-1W	24	9	54	+/-5	+/-100	77
E2412S-1W	24	8	53	+/-12	+/-42	79



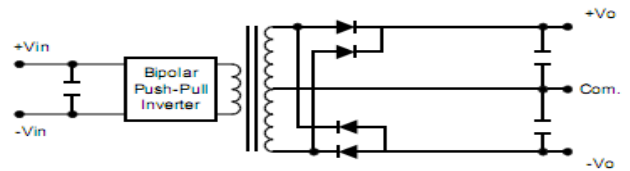
Model No.	Input Volt. Vin(VDC)	Input Current Empty load (mA)	Input Current Full load (mA)	Output Volt. Vout(VDC)	Output Current (max.mA)	Efficiency Full load (%TYPE)
E0505S-2W	5	40	555	+/-5	+/- 200	72
E1205S-2W	12	22	225	+/-5	+/- 200	74
E1212S-2W	12	20	211	+/-12	+/- 84	79
E1215S-2W	12	20	208	+/-15	+/- 67	80
E2405S-2W	24	11	111	+/-5	+/-200	75
E2412S-2W	24	9	105	+/-12	+/- 84	79
E2415S-2W	24	8	103	+/-15	+/-67	79

Functional Block Diagram:

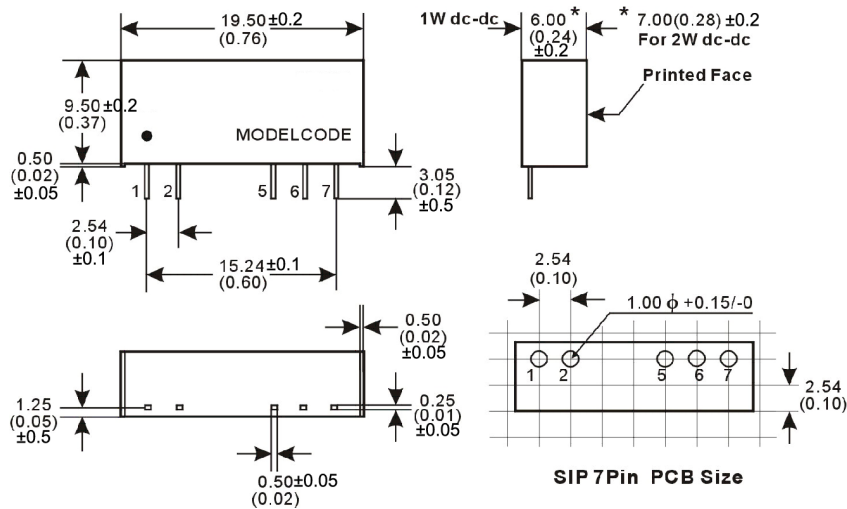
Single Output



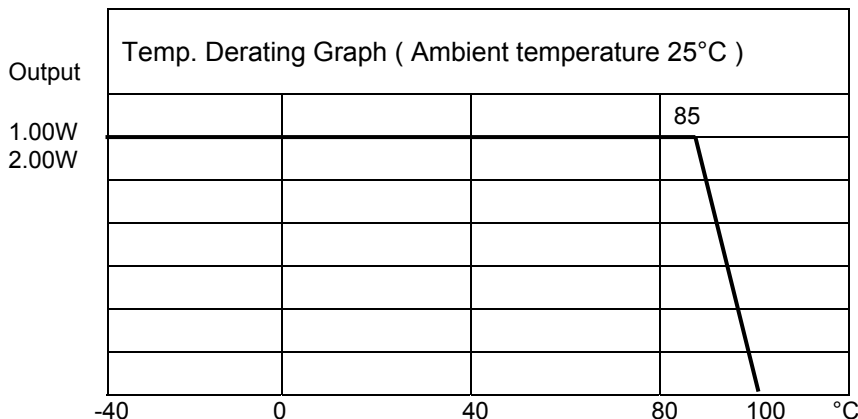
Dual Output



External Dimension & PCB Installation:



Temperature Derating Graph and PIN Definition



Pin	Function		
1	+	Vin	Input +
2	-	Vin	Input -
3			
4			
5	-	Vout	Output -
6	0	0V	Common
7	+	Vout	Output +

* Note: the product design and specification are subject to change without notice.