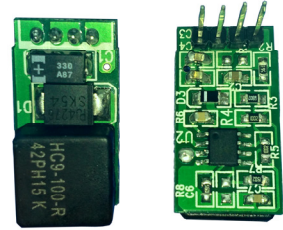




NDS24 is small size, light weight, high efficiency, low noise, easy to use open frame DC to DC power. The modules are widely used in mine exploration, metallurgy, optical control technology, medical equipment, physical and chemical experimental analysis, etc. It can be used in variety environments with 10.5V to 38V wide input range. It is versatile with vertical or horizontal installation.

**Input Volt.****12, 15, 24, 36 VDC Standard****Output Volt.****3.3 ~ 13 VDC**

Other specifications required, please inquire us for details.

Technical Parameters

All the parameters below are tested at TA=25° C, nominal input voltage, rated output current.

Input Parameters

Volt. Range	10.5 VDC~38 VDC
Linear speed rate	0.5% (low end- high end)

Isolation Parameters

Rated Isolation Volt.	Non-isolated
-----------------------	--------------

General Parameters

Switching Frequency	125 KHz, type.
---------------------	----------------

Over Temperature Protection

Shutdown output voltage. Recovers automatic after temperature goes down.

Environmental Parameters

Operating Temperature	- 15° C to + 50° C, Ambient
Operating Humidity	20 ~ 90 % RH, No Condensing
Storage Temperature	-20° C to + 85 °C, Ambient
Vibration	2G, 10~500Hz, 3 axes

Dimension

DIP Package size	NDS24: 26.0 x 15.0 x 10.8 mm
------------------	------------------------------

Typical Product List:

Model	Input Voltage	Output Voltage	Output Current	Output Current Max.	Ripple & Noise	Regulator Rate	Efficiency Full load	O.V.P
NDS24-3.3	10.5~38V	3.4V	3A	3A	10mV	1%	84% Ref.	4~4.5V
NDS24-05	10.5~38V	5.1V	3A	3A	10mV	1%	88% Ref.	5.6~6.2V
NDS24-12	20~38V	12V	2.5A	3A	80mV	1%	93% Ref.	15~18V

CE Standards

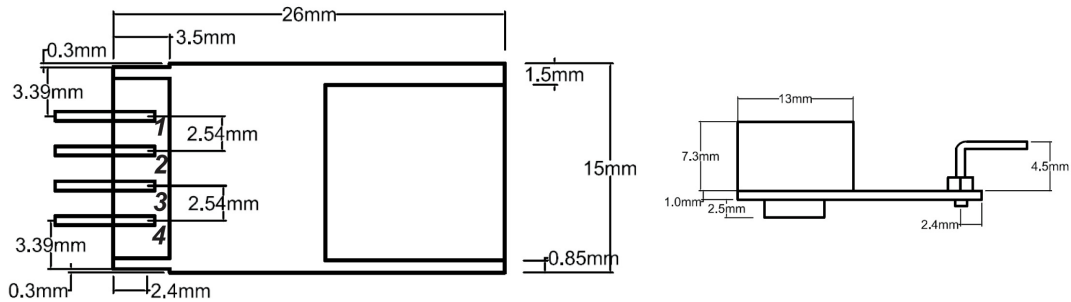
EN 55032, EN 55011, EN 61000-6-3.

Safety Standards

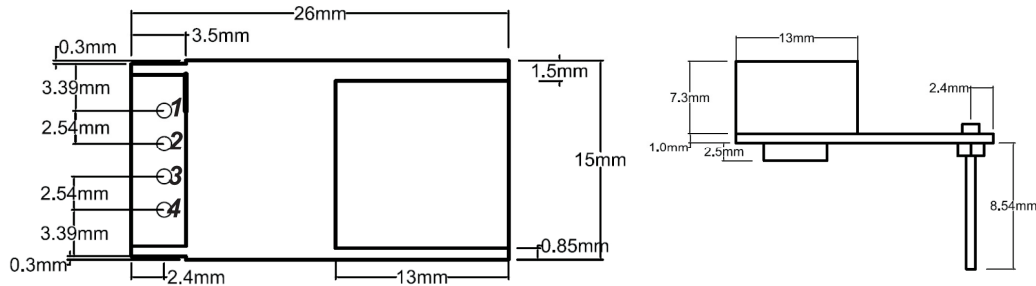
CE Marking



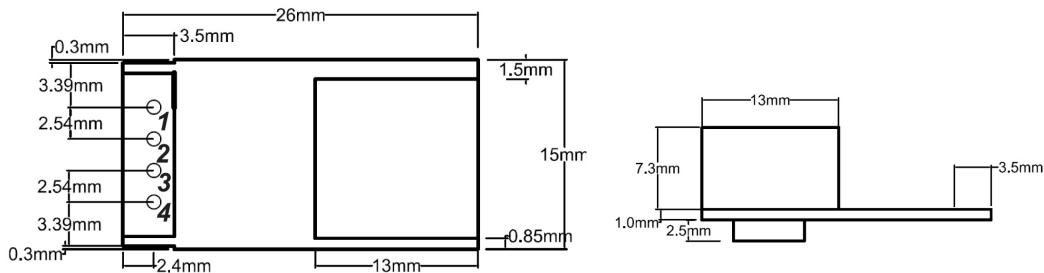
NDS24-XXA Series Vertical Type Top View



NDS24-XXB Series Horizontal Type Top View



NDS24-XXC Series Slot Type Top View



Pin	Function		
1	+	Vin	Input +
2	-	Vout	Input -
3	-	Vout	Output -
4	+	Vin	Output +

備註 :

- Vertical type part number is NDS24-3.3A; Horizontal type part number is NDS24-3.3B.
- Each output can provide up to maximum load, but total load can not exceed rated output power.
- Line regulation is measured from low line to high line at rated load.
- Load regulation is measured from 20% to 100% of rated load at 12VDC input.
- Ripple & Noise are measured with 20MHz oscilloscope at 12VDC by using a 20cm long 12" twisted pair-wire with a 0.1uF/630V metal capacitor & a 47uF electrolytic capacitor parallel on the test point.
- Efficiency is measured at rated load and 12VDC input.
- Minimum DC input Cap 47uF is required.
- Reign Power reserve the right to change specifications at any time without notice.