



All the patents are held accountable counterfeiting.

## Features



- DC uninterruptible power supply, parallel connection to DC bus
- Convection cooled
- **Din Rail/ Screw Mounting Dual Purpose**
- Easy mounting (one-step installation)
- UPS Design
- Battery Discharge Protection with Low voltage
- 0.5A Charge
- Build-in battery fuse
- Battery voltage display
- Build-in buzzer and RDY relay signal alarm of abnormal power source

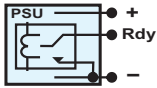
DIMENSIONS: 102(H)\*75.5(D)\*45(W)mm  
WEIGHTS: 181g

## Detail specifications

Model	Lead acid battery	External charger	Battery low voltage protecton	Build-in fuse of battery	Battery output voltage
UPS15-12	12V	13.8V	10V	15A	10~13.8V
UPS15-24	24V	27.6V	20V	15A	20~27.6V

## RDY connection

RDY contact is open circuit to ground when power source is nromal; short circuit when abnormal power source.

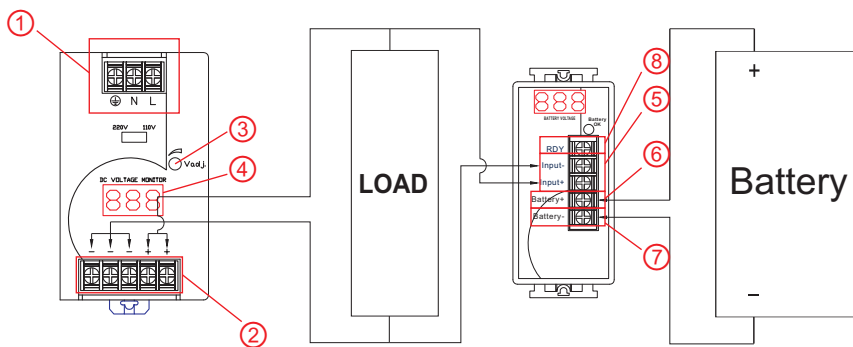


## Application Circuit 1

Provide backup after AC failure.

REIGN POWER'S SWITCHING POWER SUPPLY

REIGN POWER'S UPS SERIES



No.	Description
①	100-240VAC input
②	DC output
③	Output voltage control
④	Output voltage display
⑤	DC input
⑥	Battery positive terminal
⑦	Battery negative terminal
⑧	RDY relay signal

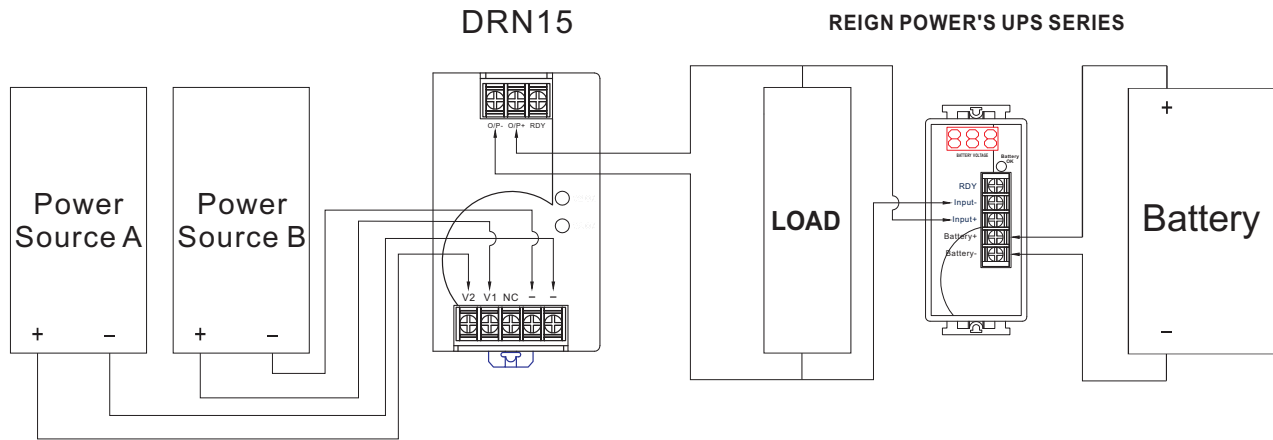
1.Reign Power reserve the right to change specifications at any time without notice.



All the patents are held accountable counterfeiting.

## Application Circuit 2



Redundant power module provides backup after AC failure or power malfunction.



### CE Standards

EN 55024, EN 55032,  
 EN 61000-3-2, EN 61000-3-3,  
 EN 61000-4-2, EN 61000-4-3,  
 EN 61000-4-4, EN 61000-4-5,  
 EN 61000-4-6, EN 61000-4-8,  
 EN 61000-4-11

### Safety Standards

 UL 62368 Meet  
 CE Marking

### Environments

**Operating Temperature** -15 ~ 50°C, Ambient  
**Operating Humidity** 20 ~ 95% RH, No Condensing  
**Storage Temperature** -20 ~ 85°C, Ambient  
**Vibration** 2G, 10~500Hz, 3 axes

1.Reign Power reserve the right to change specifications at any time without notice.