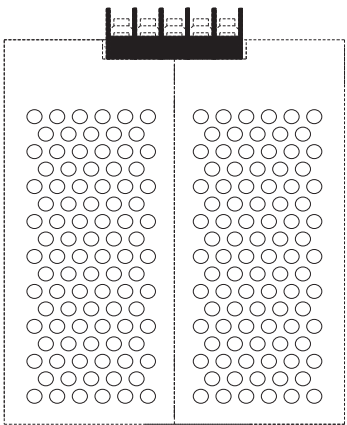
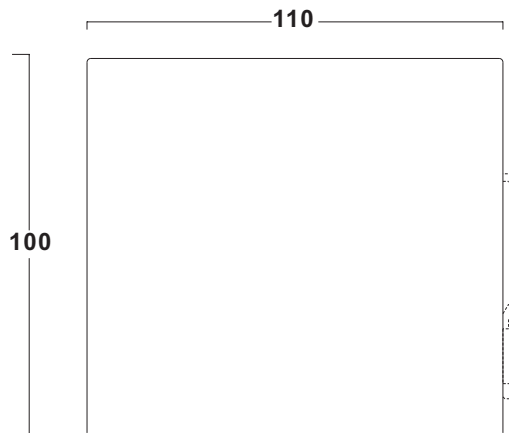
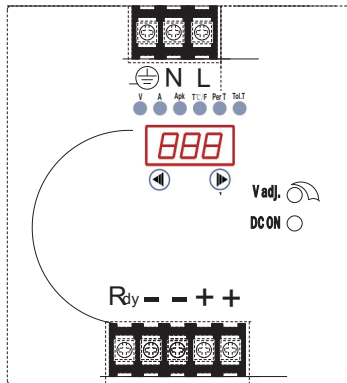
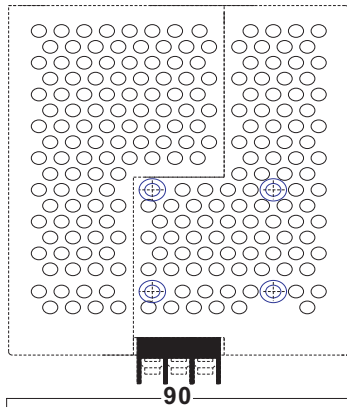




Mechanical Details



CASE NO. : CS120DR
UNIT : mm
DIMENSIONS : 100(H)*110(D)*90(W)

Panel Designation

Designation	Description
N	Neutral Terminal Of AC Input (No Polarity At DC Input)
L	Line Terminal Of AC Input (No Polarity At DC Input)
⊕	Grounding (Earth)
COM	DC Output OK Signal 10A Contact Relay 1A Current Rating
C1	Normal Close Connection
C2	Normal Open Connection
-	DC Negative Output Terminal
+	DC Positive Output Terminal
V adj.	Potentiometer For Output Voltage
DC ON	Green LED Indicator

Reign Power reserve the right to change specifications at any time without notice.